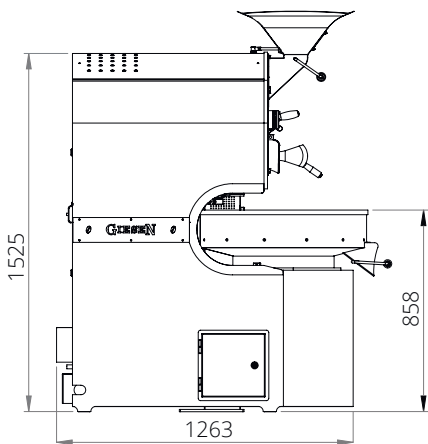
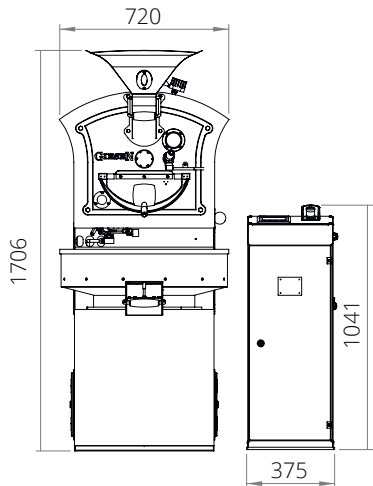




# THE GIESEN STORY

With complete devotion, we aim to produce high quality coffee roasters that offer you the possibility to roast beans with more control than any other coffee roaster. By implementing new technology and focusing on developments in the industry, our team take craftsmanship to the next level.



## W6A & W6E



Our W6 series is easy to use, flexible and has a great appearance

- » **THE PERFECT ROASTER TO START WITH**  
Easy to control all the important aspects to create your ideal roast.
- » **OUR CLASSIC & MOST SOLD ROASTER**  
Designed for small to middle large roasteries, a beautiful addition to your shop.
- » **WHICH W6 FITS YOU BEST?**  
This roaster is available in two options, the W6A which is automatic or the W6E which is an electric roaster.

### WHAT OUR CLIENTS SAY ABOUT OUR W6A & W6E:

"Beatrice, our awesome W6A, has kept us going for almost four years now. An incredible machine!" - Baobab Coffee Roasters

"I love this roaster because of the consistency every different batch size, powerful burner and consistent airflow control. Smart machine." - Wheels Coffee Roasters

### SPECIFICATIONS



**Capacity**  
0,5 - 6 kg



**Gas type**  
Natural & Propane  
(W6A)



**Weight**  
450 kg



**Heating**  
Electrical (W6E)



**Power**  
All power supplies



**Exhaust**  
150 mm



**Certificates**  
CE



### PERFECT SOLUTION

If you're looking for a professional starting model which has the perfect combination of functionalities, capacity and size, the W6 series is the perfect fit for you! With a roasting capacity up to 6 kg. per batch it is a great addition to your roastery. The look and feel of the W6 series is giving your shop the

industrial and robust appearance you need. A very valuable feature of this roaster is the presence of two different fans. This enables you to control your airflow and use the turbo cooling for an even faster cooling process. Our W6E is developed especially for places where you can't use gas.

### OPTIONS

- STANDARD BLACK/RVS
- ALL RAL COLORS
- COMPANY LOGO
- ROOF ALL RAL COLORS
- UNPAINTED RAW LOOK
- DIGITAL MANOMETER
- ROAST PROFILE SOFTWARE
- ROAST PROFILE TOUCHSCREEN PANEL
- ROAST PROFILE LAPTOP
- ROAST PROFILE TABLET
- CROPSTER ACCESS CODE
- REMOTE SUPPORT ROUTER
- TEMP. SENSOR DOUBLE READ OUT
- INFRARED SENSOR
- EXTERNAL CYCLONE