



# THE GIESEN STORY

With complete devotion, we aim to produce high quality coffee roasters that offer you the possibility to roast beans with more control than any other coffee roaster. By implementing new technology and focusing on developments in the industry, our team take craftsmanship to the next level.

## W30A



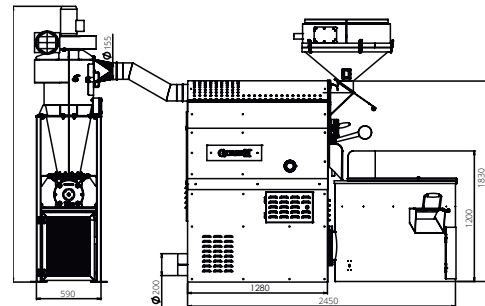
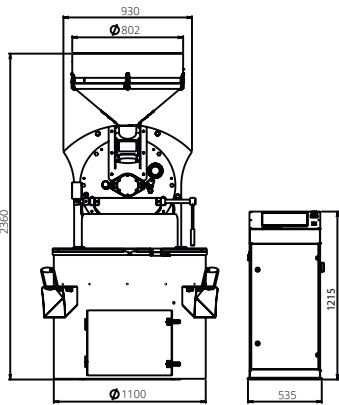
### Maximum efficiency and higher capacity options

- » **FOR MIDDLE TO LARGE ROASTERIES**  
With a capacity of 120 kg/h it's a real addition to roasteries that produce coffee on a larger scale.
- » **ADVANCED TECHNOLOGY**  
Plan, repeat and save your roasting profile with our built-in Roast Profile System.
- » **INCLUDED: SEPARATION CYCLONE**  
The built-in separation cyclone removes the chaffs automatically from the roasted beans.

### WHAT OUR CLIENTS SAY ABOUT OUR W30A:

"Yesterday and today were big days. Silipo Coffee are now the proud owners of a Giesen W30a Coffee Roaster. The results are beyond amazing and we can't wait to share more amazing award winning coffee with you."

- Silipo Coffee



## SPECIFICATIONS

  
**Capacity**  
15 - 30 kg

  
**Gastype**  
Natural & Propane

  
**Weight**  
1500 kg

  
**Power**  
400 V - 50/60 Hz  
3-phase

  
**Exhaust**  
2 x 200 mm

  
**Certificates**  
CE & UL



### MAXIMUM EFFICIENCY

This relatively new addition to the Giesen family is a roaster with double the capacity of the W15A. The premix burner enables you to roast your beans with even more accuracy. The roaster has a capacity to roast 30 kg per batch and contains the built-in Roast Profile System which gives you the possibility to plan

and repeat your roasting profile. You can also save your recipes and your roast profiles in this program. The built-in separation cyclone removes the chaffs automatically from the roasted beans. The optional pellet press will press your coffee chaff into a disk for easy disposal.

### INCLUDED:

- ROAST PROFILE TOUCH
- REMOTE SUPPORT ROUTER
- CYCLONE GATE

### OPTIONS:

- STANDARD BLACK/RVS
- ALL RAL COLORS
- COMPANY LOGO
- BLACK POWDER COATED ROOF
- GOLD HAMMERED OR PAINTED ROOF
- COMPANY LOGO
- PELLET PRESS
- TEMP. SENSOR DOUBLE READ OUT
- INFRARED SENSOR
- CROPSTER ACCESS CODE